



Tensile Testing Machine with COF (LCD Display)



PRESTO STANTEST PVT LTD
WWW.prestogroup.com
DATE 29/12/19

Sr	Time	Load	Elong
01	16:50:40	00000.7	000000
02	16:50:41	00000.3	000000
03	16:50:42	00000.1	000000
04	16:50:43	00000.1	000000
05	16:50:44	00000.1	000000

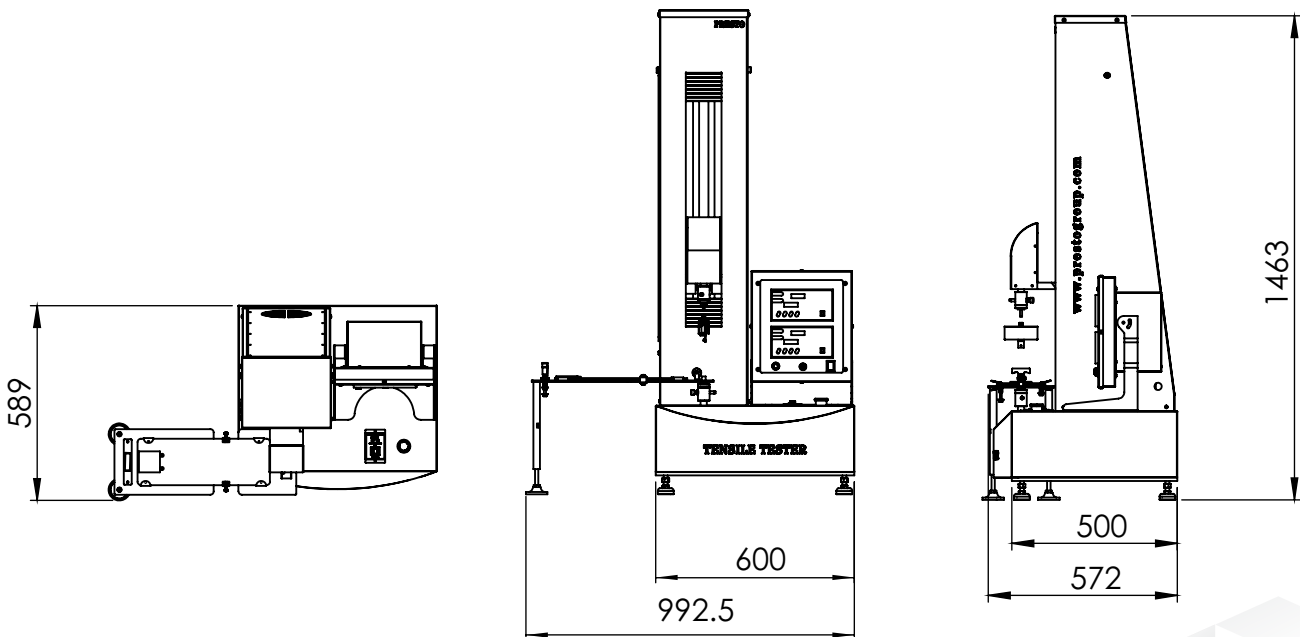
Printer Test Report



COF Fixture

Model No. TTMC-LCD

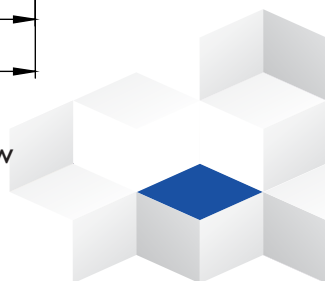
Tensile Testing Machine with Co-efficient of friction is a consistent tool that helps the manufacturer in testing the breaking, friction, tensile strength of various materials, components and finished products. It is based on the principle of Constant rate of extension (CRE).



Top View

Front View

Side View





Presto Stantest Pvt. Ltd.

I-42, DLF Industrial Area Phase-1, Delhi Mathura Road, Faridabad 121003, Haryana, India
 P : 9210 903 903, +91 129 4272727, 93111 24302 E : info@prestogroup.com

- Faridabad • Sonipat • Kolkata • Mumbai • Pune • Ahmedabad
- Chennai • Bangalore • Hyderabad

www.prestogroup.com



Coefficient of Friction Tester is a consistent tool to indicate the starting and sliding friction of plastic films and sheets when sliding over itself or other substance at specified test condition. PRESTO Coefficient of Friction Tester is manufactured under various Test Standards ASTM D618, ASTM D 883, BS 2782, and ASTM D 1894.

Features :

- Advanced load sensor sensing through advanced electronic LCD card.
- Speed Control through Variable Frequency drive. (150 / 300 mm per min.)
- Highly sensitive load sensor with linearity feature and repeatability
- Cross head travel length: 600 mm without grips
- Single column rugged structure
- Safety limit switches for over travel safety
- Hardened lead screws for frictionless movement
- Load cell calibrated by NABL approved proving ring/dynamometers
- Advanced self calibration feature for dual load cell different capacity.
- High accurate micro-controller based system controls.
- User Friendly operation with intuitive key pad and robust architecture
- Inbuilt Tensile & COF fixture is optional
- Easy Data Management. max. test result peak hold facility.
- USB compatible for high speed data transfer
- Bright LCD display
- Print of test reports with thermal printer feature is available.
- Secured working with key protection feature
- Automatic end test/stop after completion of test.
- Immediate analysis of results after test with complete accuracy & precision.

Presto stantest pvt ltd www.prestogroup.com TEST REPORT				
Sr	Date	Time	Load	Elong
00	00/00/00	00:00:00	000000	000000
01	04/12/19	13:00:45	010185	000000
02	04/12/19	13:00:52	002049	000000

USB Data Report

Key Specification

Display	LCD Display 2 column with blue backlight
Power	220V AC, 5 Amp., Single phase, 50 Hz
Accuracy	± 2% at Full Load (with master load)
Standard Speed	150-300 mm/min through VFD drive
Grip to Grip Separation	Min 25mm and Max. 500mm (applicable only with vice type standard grip)
Tensile load range	100 Kgf
Coefficient load range / Travel	3 Kgf / 300 mm

Capacities Available

Capacities (Kg.)	Least Count
5	1gm
10	1gm
20	2gm
50	5gm
100	10gm
250	100 gm

Highlights:

Coefficient of Friction	Fixture (optional)
Drive Mechanism	Variable Frequency AC Drive
Safety	Yes (Mechanical limit switch)
Load Cell	Dual Load cell option tensile / Coefficient of friction
Communication Port	USB

- Thermal printer standard and cof fixture optional
- * Other capacity available as per requirement.

Thank you customers for choosing us as your partners in growth !



*All the above logos are the sole property of their respective owners and are used purely for depiction purposes only.

OUR OTHER PRODUCTS :-



www.prestogroup.com